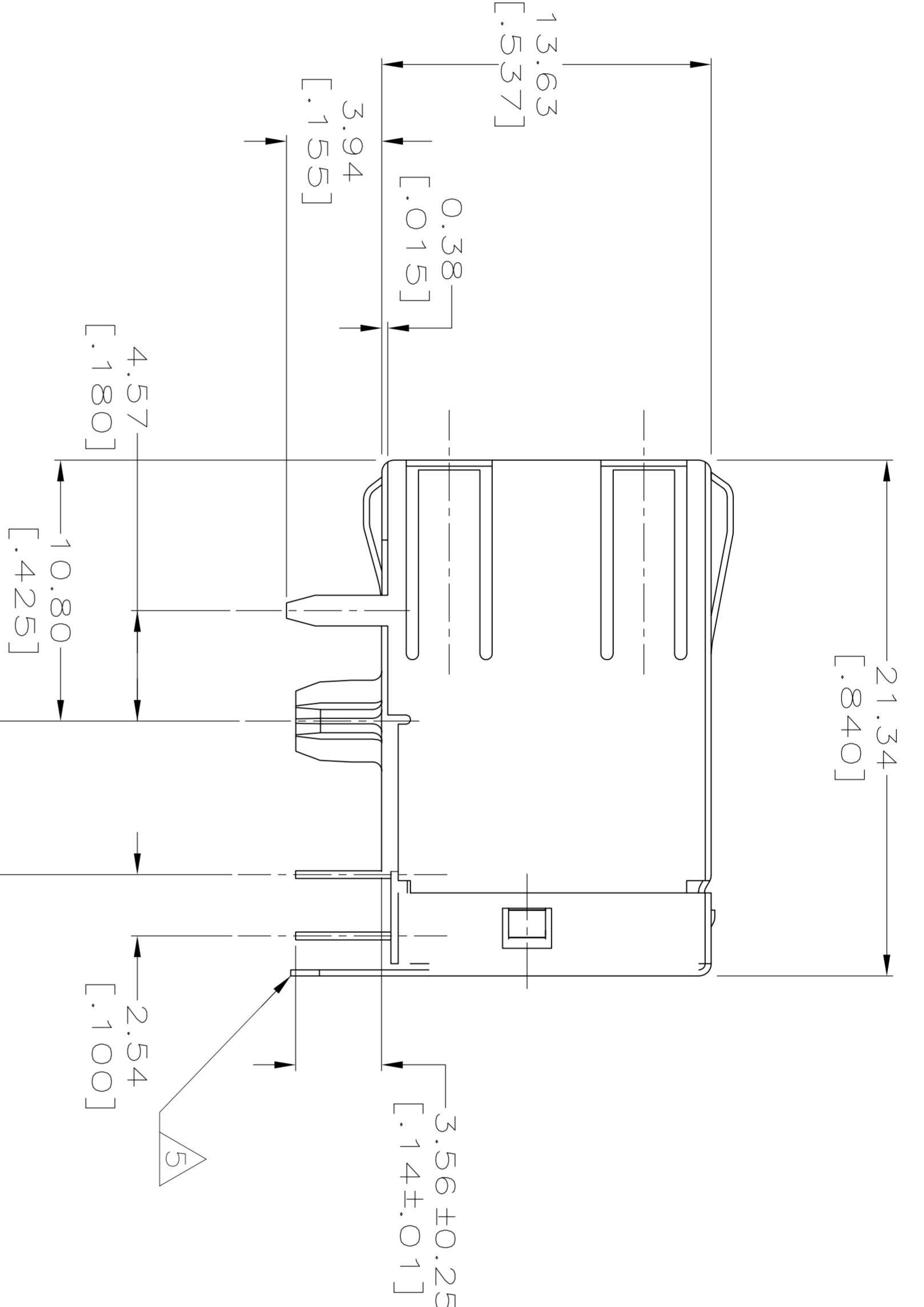
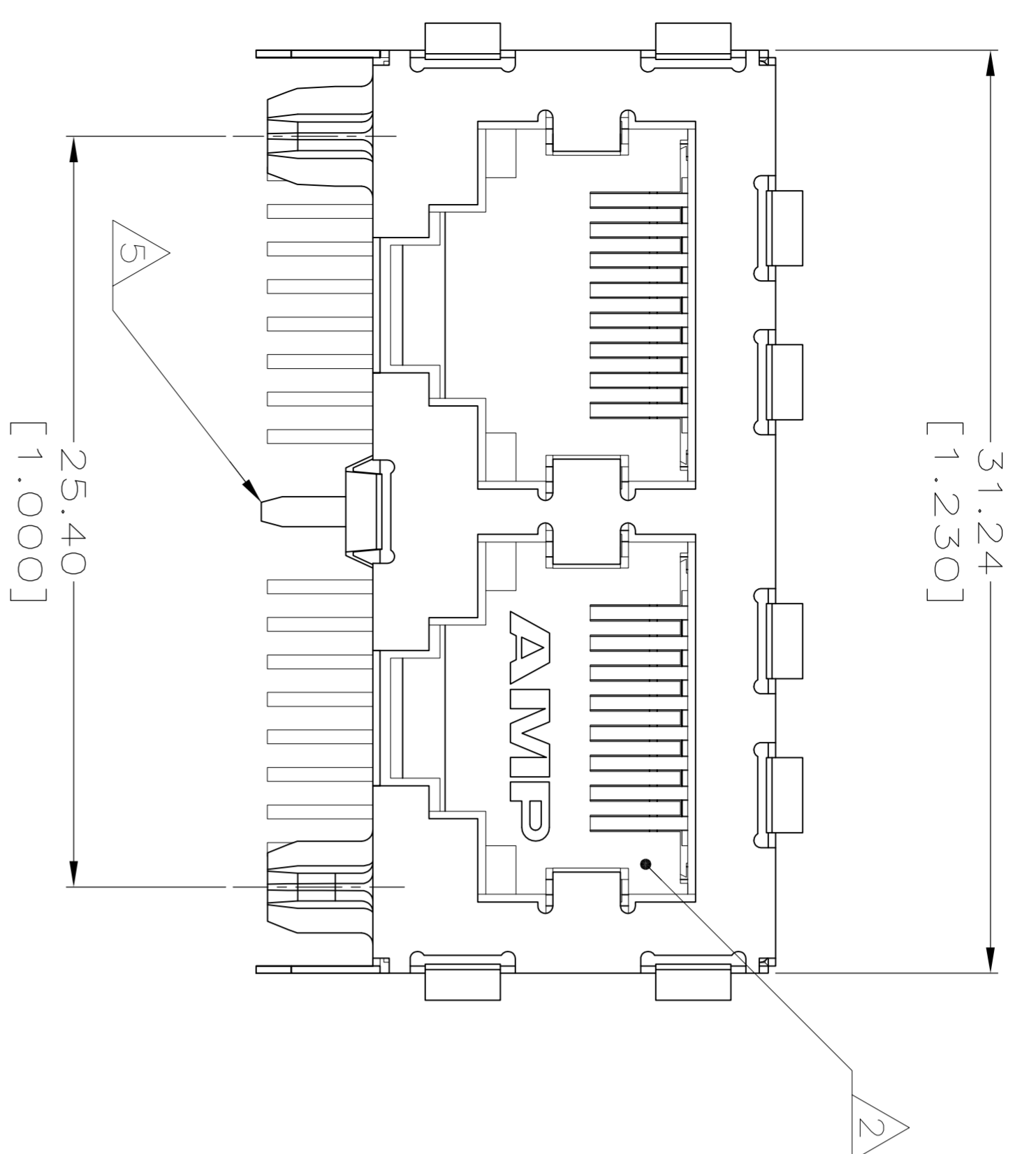
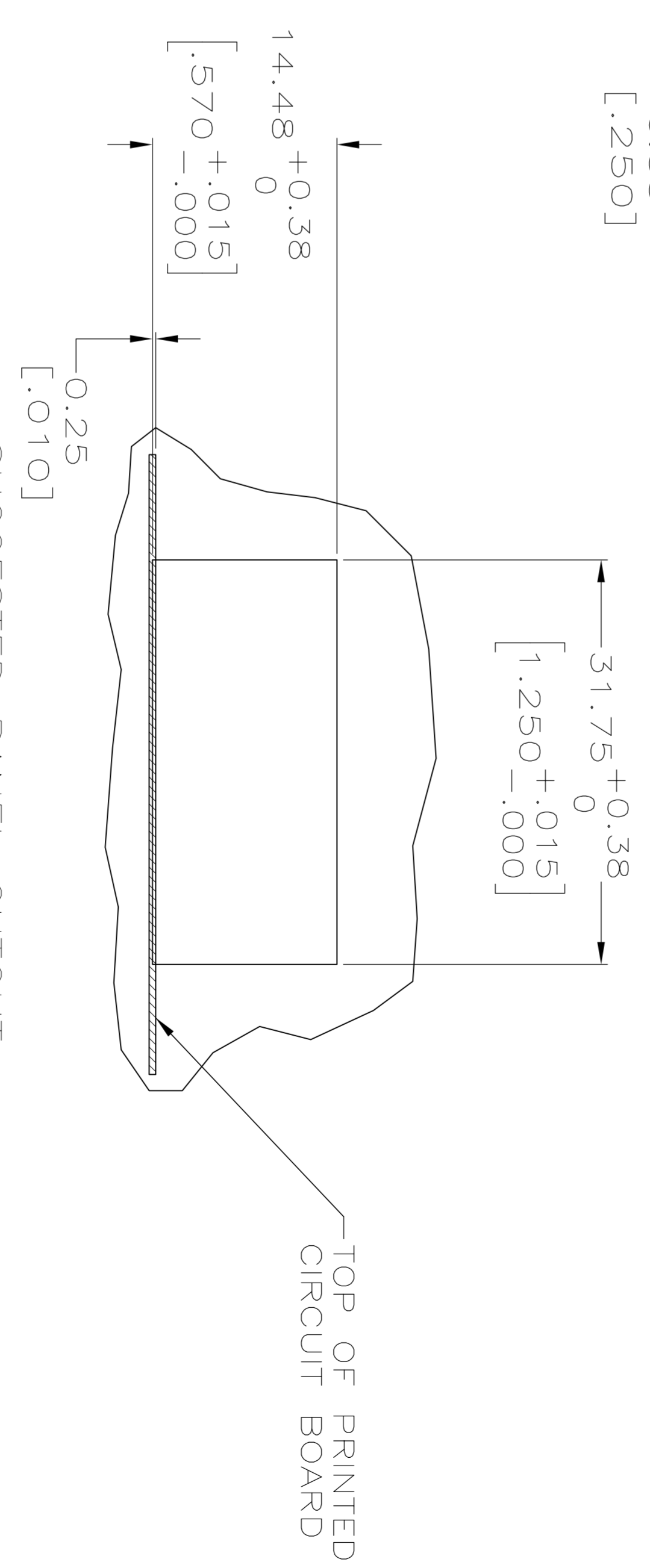
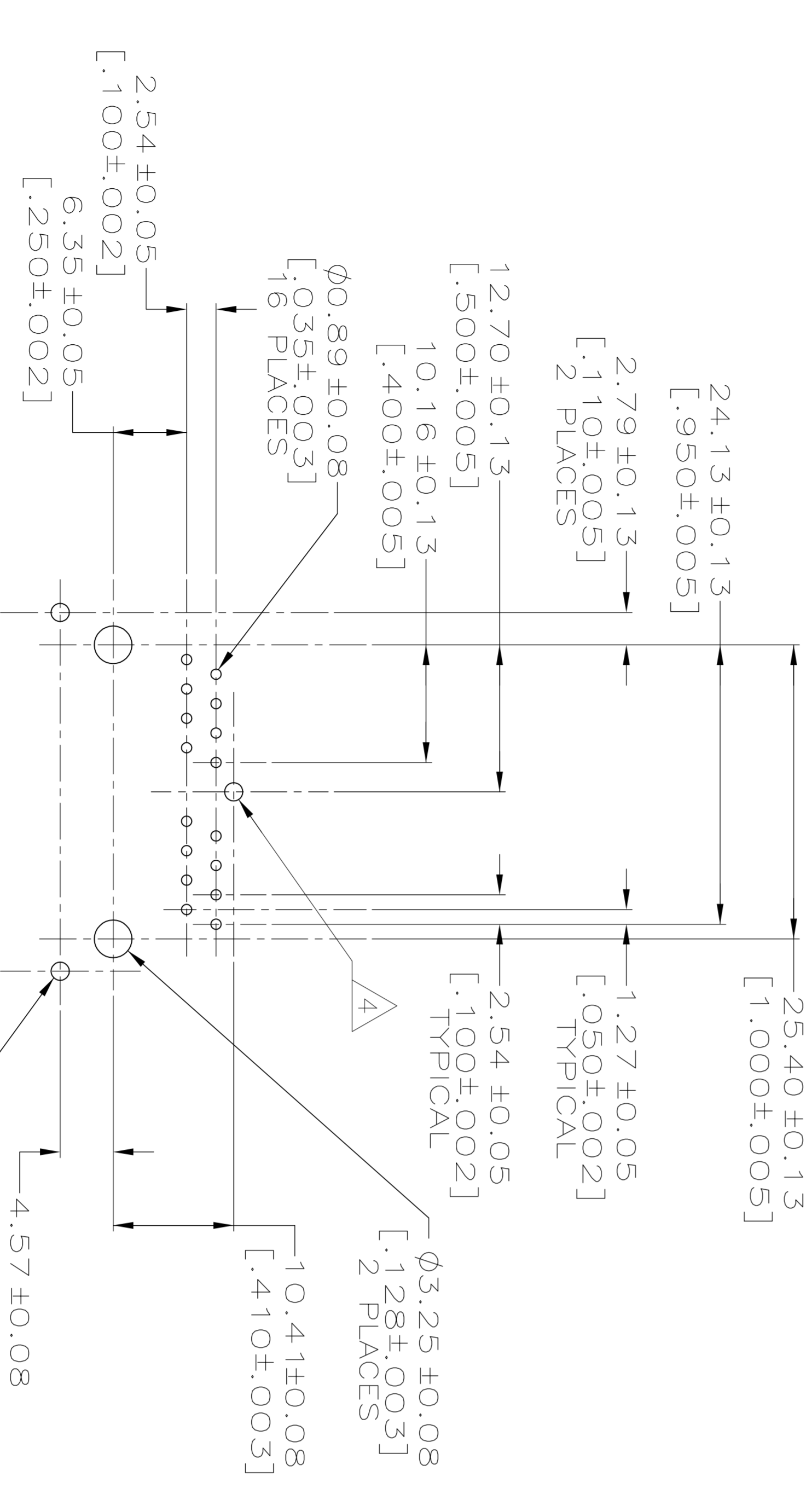


LOC	DIST	REVISIONS		DATE	OWN	APP'D
AA	22	P	UTR			
B		REV PER	ECR-08-032447	18FEB2009	DZ	SY



- 1 MATERIAL: HOUSING - HIGH TEMPERATURE NYLON, BLACK, IR COMPATIBLE, UL 94V-0.
- 2 JACK CAVITY CONFORMS TO FCC RULES AND REGULATIONS, PART 68 SUBPART F.
- 3 ALL DIMENSIONS SHOWN ARE NOMINAL UNLESS OTHERWISE SPECIFIED.
- 4 THIS HOLE REQUIRED FOR -2 ONLY.
- 5 REAR GROUND TAB NOT REQUIRED FOR -1.



SUGGESTED PANEL CUTOUT
SCALE 2:1

SUGGESTED PC BOARD LAYOUT
COMPONENT SIDE
SCALE 2:1

THIS DRAWING IS A CONTROLLED DOCUMENT.		DESCRIPTION	
OWN J. ALCORTA - DOCK3 16JUN2005	CHK J. WESTMAN 16JUN2005	APPROV S. FLICKINGER 16JUN2005	NAME Tyco Electronics Tyco Electronics Corporation Harrisburg, PA 17105-3608
DIMENSIONS: mm[inches]		TOLERANCES, UNLESS OTHERWISE SPECIFIED:	
0 Plc	±	1 Plc	±
2 Plc	± 0.25[0.01]	2 Plc	± 0.13[0.005]
3 Plc	± 0.13[0.005]	3 Plc	±
FINISH		FINISH	
MATERIAL		MATERIAL	
CUSTOMER DRAWING		CUSTOMER DRAWING	
WITH REAR PCB GROUND TAB		5406562-2	
WITHOUT REAR PCB GROUND TAB		5406562-1	
PART NO.		PART NO.	
SIZE	CAGE CODE	DRAWING NO	RESTRICTED TO
A2	00779	5406562	
SCALE	4:1	SHEET	1 OF 1
REV		REV	B